



GSE-QC5050LD

UPC:



Style:

- Kitchen Sink
- 50/50 Double Bowl
- Low Divide
- Undermount

Material:

- Quartz Composite

Size:

- Overall: 32" x 19"
- Bowl Depth: 9-3/4" | 9-3/4"
- Drain Diameter: 3-1/2"

Features:

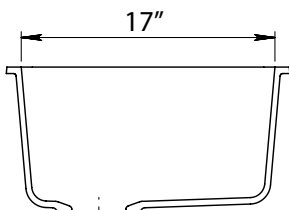
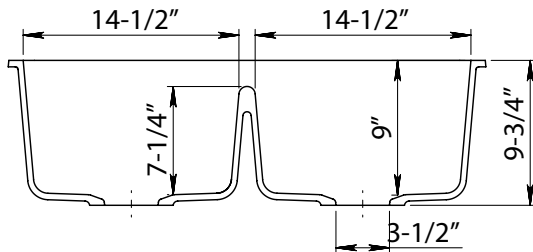
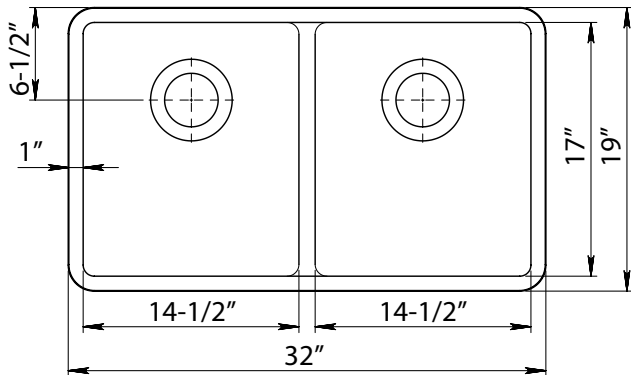
- Made from 80% quartz, only diamond is harder
- Durable; highly resistant to scratches and stains
- Non-porous surface, easy-to-clean
- Extremely hygienic, does not absorb bacteria
- Heat resistant to +500°F
- PerfectFit drains for easy cleaning

Certifications:

- Complies with ANSI Z124.6-2007
- Complies with EN 13310:2003

Warranty:

- Lifetime Limited Warranty



Available Color/Finish



B - Beige
C - Concrete (Shown)
K - Black
M - Mocha
W - White

Available Accessories (Not Included):

- Bottom Grid(s)
- Color Matched Basket Strainer
- Color Matched Disposal Flange